

www.hazalguvenlik.net



Surface Mount Hydraulic Road Bloc Barrier

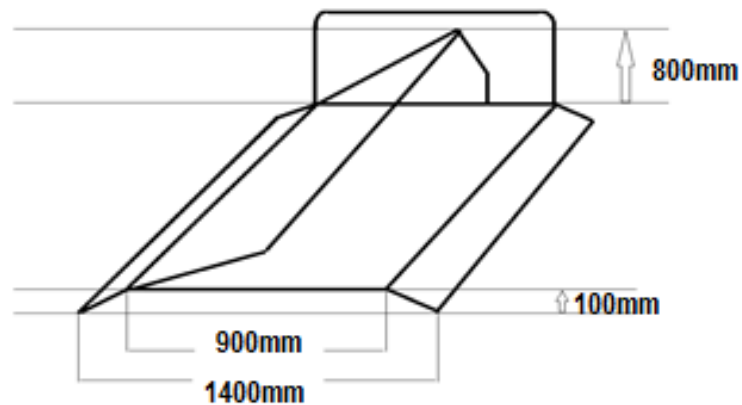
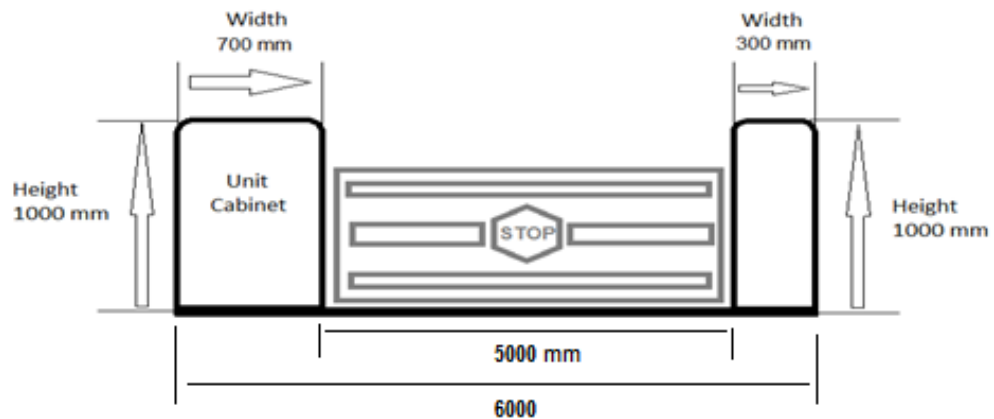
Data Sheet

www.hazalguvenlik.net

Surface Mount Hydraulic Road Blocker



Chassis Length	6000mm
Working Height	800 mm
Depth	Zero mm
Weight (approx.)	1800 kg
Axle load	22 tons
Top plate	Plain, painted to yellow with black stripes
Type of steel	S235/RAEX250-Quality 37 minimum
Red/green LED traffic light	Available, 100mm diameter, steel post 2 mt height
Hinges	reinforced steel
Power	380 V, 3 Phase, 50-60 Hz
Power failure	Manual hand pump
Raise lower time	3-5 seconds - in emergency 1.5 seconds (optional)
Desktop keyboard	Raise, lower, emergency stop, key operated, 'keyboard in use' light indicator
Controller Type	PLC Electronic Control Unit
Loop detector	This detector is used for safety
Power Back-up system (options)	Hydraulic accumulator, DC motor and batteries, UPS
Cabinet	IP 65 with continuous ventilation
Motor Power	Min 4 KW, 1500 rpm
Environmental conditions	-20 °C and +75 °C



www.hazalguvenlik.net



Doğuş Mah Ballıbaba Sok No : 67/3 K.Esat / Çankaya / ANKARA

Tlf : + 90 312 478 2028 – + 90 312 482 0484

www.hazalguvenlik.net - info@hazalguvenlik.net

www.hazalguvenlik.net